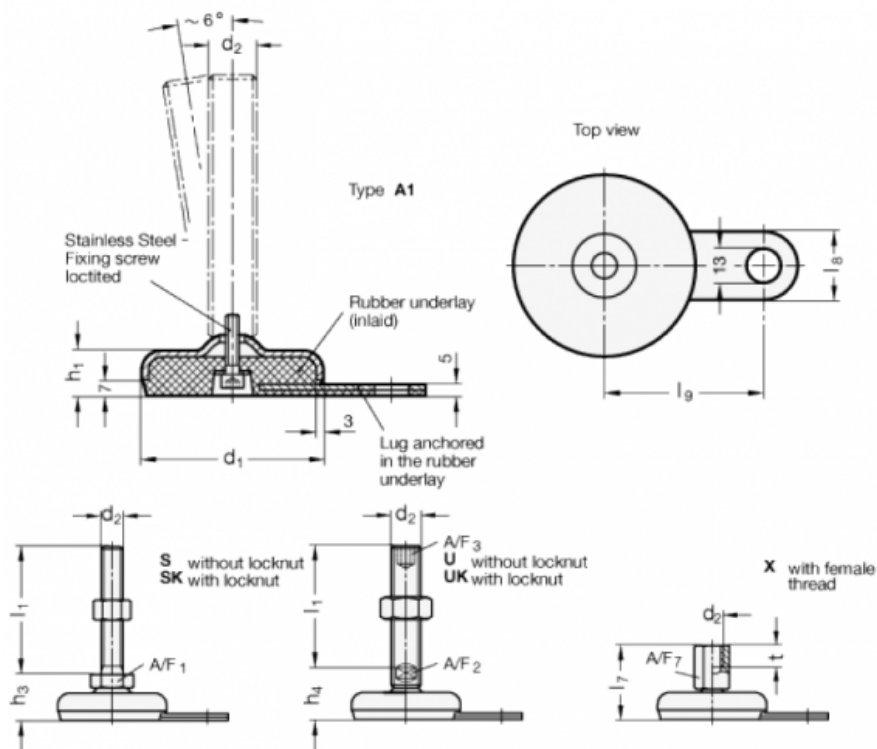


Article number: 203250M16100A1UK

Description: E+G levelling foot
GN 32-50-M16-100-A1-UK

Note: UK With nut, Hexagon socket at the top, Wrench flat at the bottom

Measures



A/F2 = 12

I9 = 45

A/F3 = 8

d1 = 50

d2 = M16

h1 = 18

h4 = 32

l1 = 100

l8 = 25